

Filter for backpack mounting to KP01

Standard- or Medical-Filter



KP01 Base Module
(not enclosed)



Description

- Component: Snap-in version from rear-side
- 1 Function: Line filter in standard and medical version
- For PCB mounting
- Only in combination with base-module type KP01

Approvals

- VDE License Number: 104869
- UL License Number: E72928
- CSA License Number: 97784

Characteristics

- Line filter for "backpack" mounting for modules type KP01 (snaps onto rear of KP01)
- Electrical connection done on the PCB
- Qualified for use in equipment according IEC/EN 60950

References

[General Product Information](#)

Weblinks

[Approvals](#), [RoHS](#), [CHINA-RoHS](#), [e-Store](#), [SCHURTER-Stock-Check](#), [Distributor-Stock-Check](#)

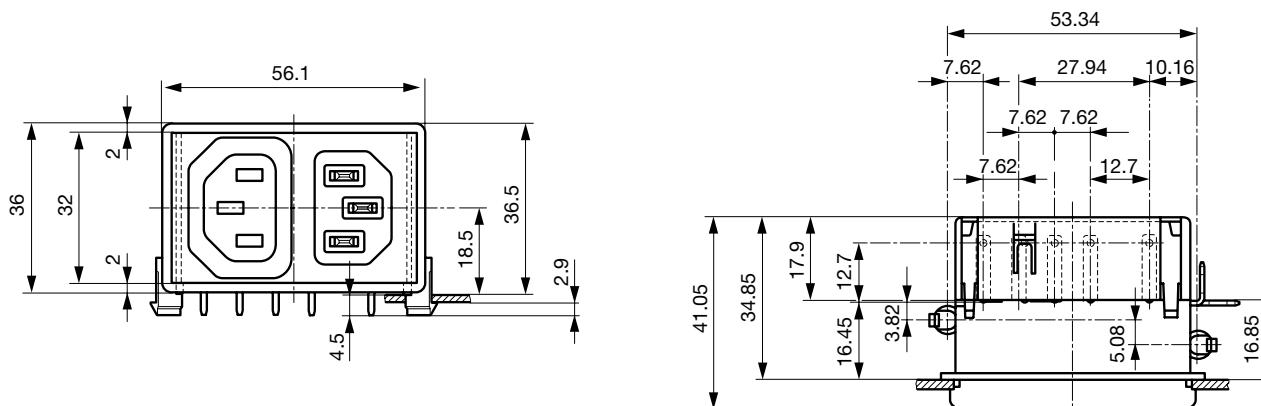
Technical Data

Ratings IEC	1 - 10A @ Ta 40 °C / 250VAC; 50Hz
Ratings UL/CSA	1 - 10A @ Ta 40 °C / 125VAC; 60Hz
Leakage Current	standard < 0.5mA (250V / 60Hz) medical < 5 µA (250 V / 60 Hz)
Dielectric Strength	> 1.7kVDC between L-N > 2.7kVDC between L/N-PE Test voltage (2 sec)
Allowable Operation Temp.	-25 °C to 70 °C
Climatic Category	25/085/21 acc. to IEC 60068-1
Degree of Protection	from front side IP 40 acc. to IEC 60529
Protection Class	Suitable for appliances with protection class I acc. to IEC 61140
Terminal	For PCB mounting
Material: Housing	Thermoplastic, black, UL 94V-0

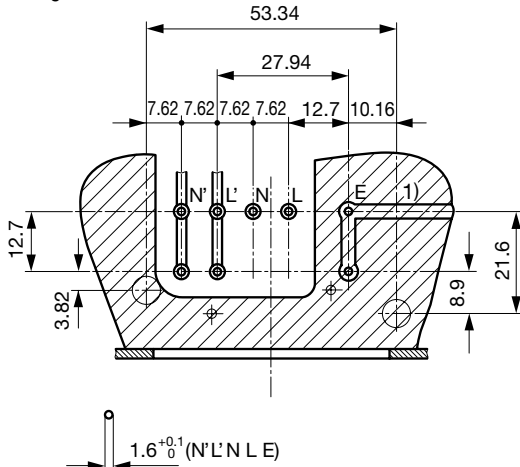
Line Filter	Standard and Medical Version, IEC 60939, IEC 60601-1, UL 1283, UL 544, EN 133 200, CSA C22.2 no. 8 Technical details
MTBF	> 2'600'000h acc. to MIL-HB-217 F

Dimensions

Length |-----| 53.4 mm

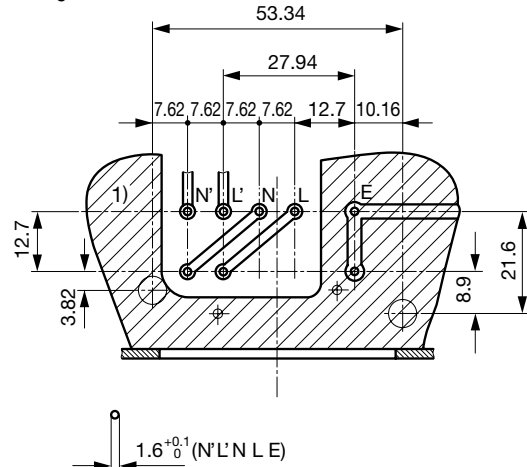


Drilling diagram
Layout to diagram A



1) Minimum ground plane

Drilling diagram
Layout to diagram B



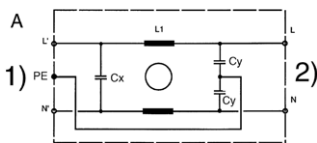
1) Optimal ground plane

Technical Data of Filter-Components

Rated Current [A]	Filter-Type	Inductances L [mH]	Capacitance CX [nF]	Capacitance CY [nF]	R [MΩ]
1	Standard Version	2 x 10	100	2.2	-
2	Standard Version	2 x 4	100	2.2	-
4	Standard Version	2 x 2	100	2.2	-
6	Standard Version	2 x 1	100	2.2	-
8	Standard Version	2 x 0.6	100	2.2	-
10	Standard Version	2 x 0.4	100	2.2	-
1	Medical Version (M5)	2 x 10	100	-	1
2	Medical Version (M5)	2 x 4	100	-	1
4	Medical Version (M5)	2 x 2	100	-	1
6	Medical Version (M5)	2 x 1	100	-	1
8	Medical Version (M5)	2 x 0.6	100	-	1
10	Medical Version (M5)	2 x 0.4	100	-	1

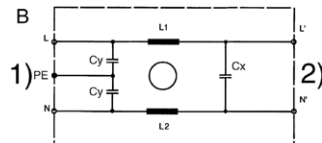
Diagrams

Standard line filter



1) Line
2) Load

EMI filtering of equipment emissions



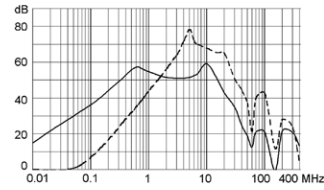
1) Line
2) Load

Attenuation Loss

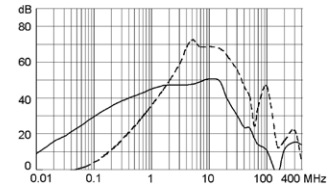
--- differential mode — common mode

Standard version

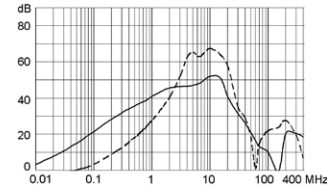
1 A



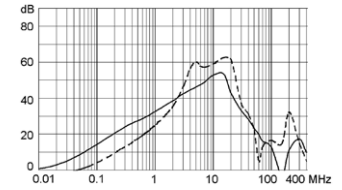
2 A



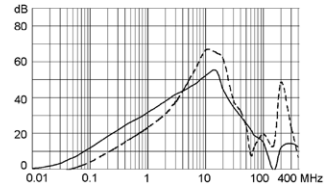
4 A



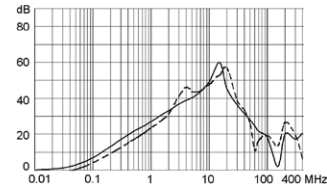
6 A



8 A

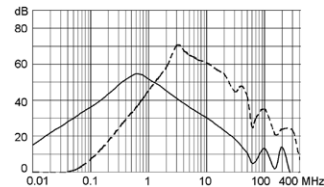


10 A

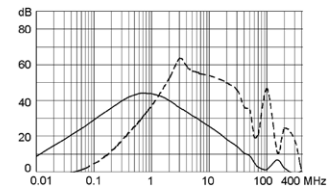


Medical version (M5)

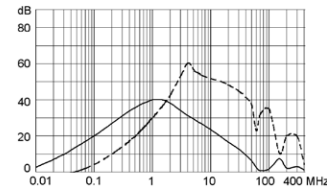
1 A



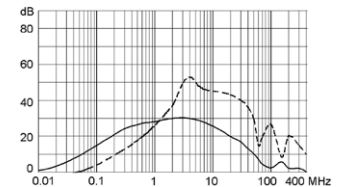
2 A



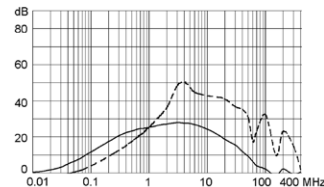
4 A



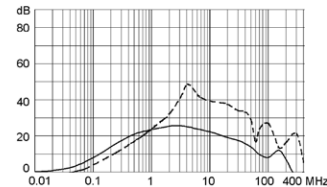
6 A



8 A



10 A



Variants

[Distributor-Stock-Check](#) | [SCHURTER-Stock-Check](#) | [e-Store](#)

Rated Current [A]	Filter-Type	Order Number
1	Standard Version	KPF1.1
2	Standard Version	KPF2.1
4	Standard Version	KPF4.1
6	Standard Version	KPF6.1
8	Standard Version	KPF8.1
10	Standard Version	KPF0.1
1	Medical Version (M5)	KPF1.3
2	Medical Version (M5)	KPF2.3
4	Medical Version (M5)	KPF4.3
6	Medical Version (M5)	KPF6.3
8	Medical Version (M5)	KPF8.3
10	Medical Version (M5)	KPF0.3

Packaging unit 50 Pcs